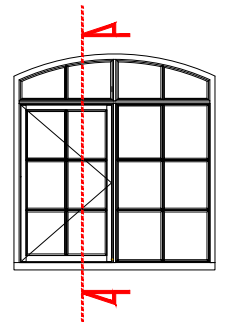
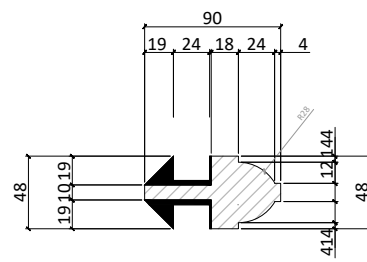
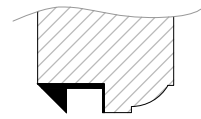


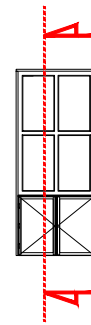
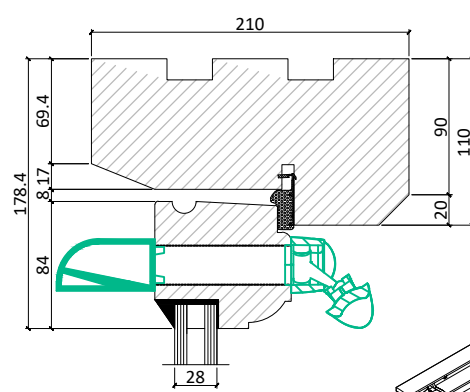
Section 1



Section 2

Detail 2

Detail 1



Section 3

Detail 3

THE CONTENTS OF THIS PLAN INCLUDING THE PRINTED NOTES ARE COPYRIGHT AND REPRODUCTION IN WHOLE OR PART IS NOT PERMITTED WITHOUT PRIOR CONSENT OF ANVA ARCHITECTURAL, ENGINEERING AND LICENSING IN WRITING.

MANSELTON PRIMARY SCHOOL
MANOR ROAD, MANSELTON
SWANSEA
SA5 9PA

-WINDOW 4 DETAIL

SCALE: 1/20 @A3

REF. NO : 095. 22/42

DATE: APR. 2023

DRG BY: B.OZDEMIR

anva architectural,
engineering and licensing
P.O. BOX 1827
ILFORD. IG2 7WJ
TEL: 020 8586 4401 FAX: 020 8586 4401
MOBILE: 077 10942923 / 079 30407212
E-MAIL: info@a-anva.co.uk